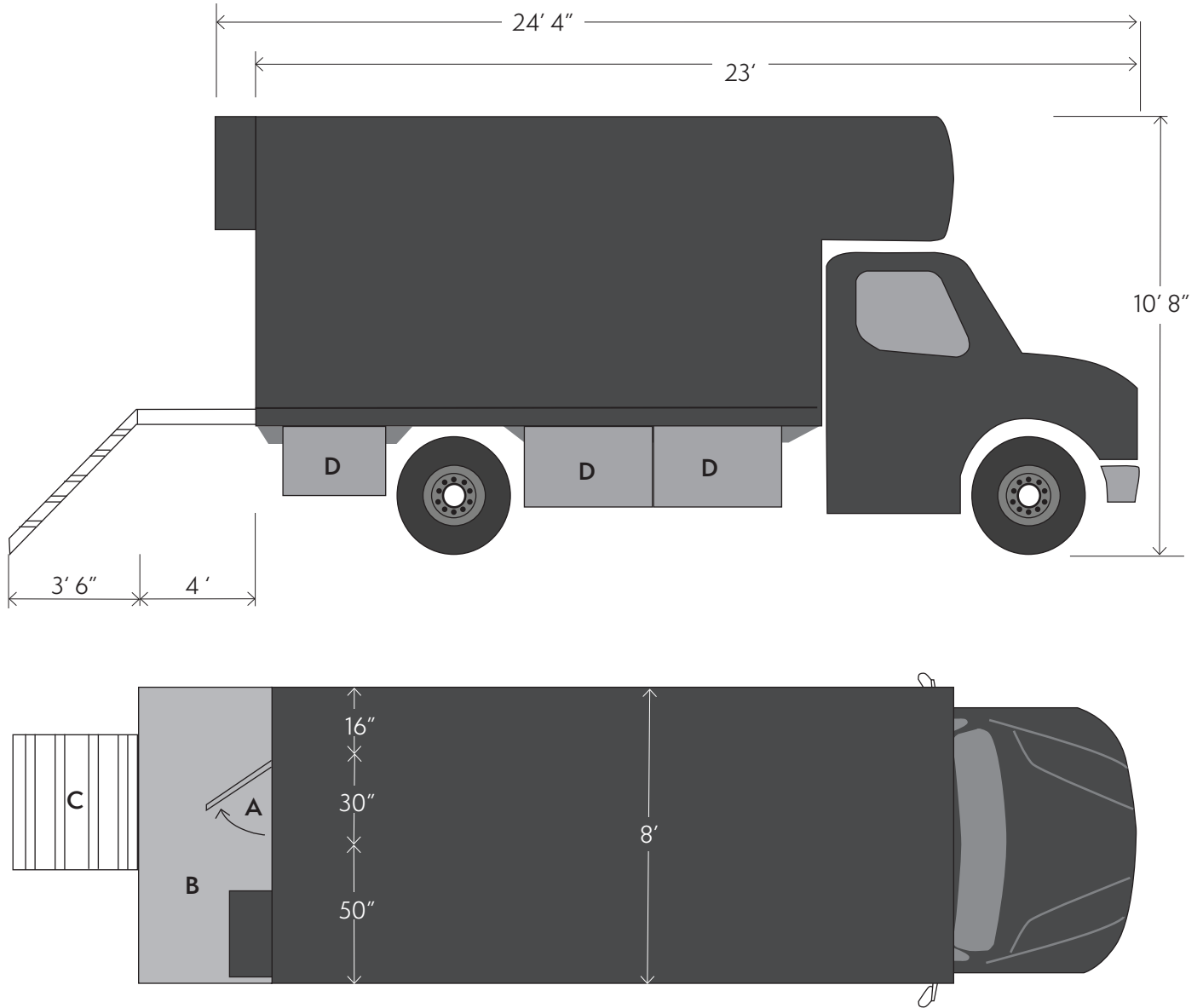


OBU Exterior Dimensions



- A - Control Room Door 30"
- B - Stair Platform 8' W x 4' L
- C - Stairs 30" W x 4' L
- D - Belly Bins Open 18" both sides

Weight - 14,500 lbs
Power - 50A, Single Phase
Camlock Connection